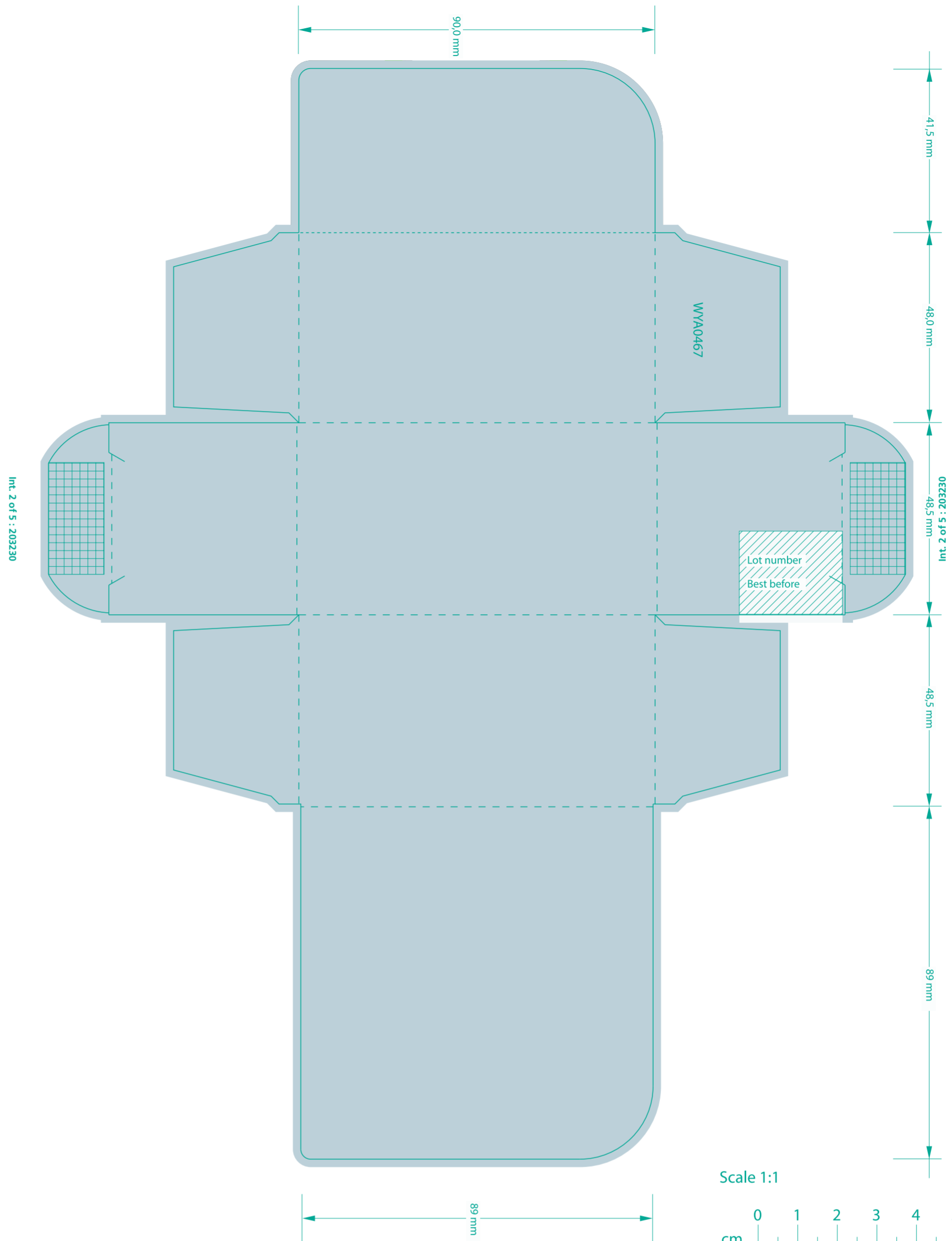


V2		champs Artwork Information Panel HALEON	
14 - APR - 2023		Haleon Artwork Solution	
D2A	<input type="checkbox"/> Non Production	<input type="checkbox"/> Production	<input checked="" type="checkbox"/>
Total Number of Colours including Varnish & Foils: 7			
1. Cyan	2. Magenta	3. Yellow	4. Black
			5. PANTONE 355 C
			6. SILVER 10077 C
7. Varnish - IDRO	8.	9.	10.
			11.
			12.
Total Special Finishes: 0			
AWP No: 7261155		CHAMPS No: 0000015705	
Manufacturing Site: Aprilia		Site Component No: 62000000203230	
Approving Market: Turkey-TUR		Site Change Control No:	
Product Market Trade Name: CENTRUM ADVANCE 50+		Component Type: Carton	
Technical Drawing No: TD: WYA0467 - SC: 1870 - Varnish: Idro		Material Spec No:	
Print Process: Offset		Pharma Code No:	
Barcode No: 8681291005282		Bar Width Reduction: 0 Micron	
Formulation Code: NA		Body Text Size: 6.0pt	
Micro Text: N		Leading: 7.0pt	
		Horizontal Scale: 100%	
		Smallest Text Size: 5.0pt	
Studio Location: Coimbatore, IN			



Ver.	Date	Reason for revision	Compiler	Note	Technical info
01	04 Jun 2021	New Drawing	B. BornagoB. Bornago	No embossed Used for: - Centrum [Select] 60 tabs - Centrum Junior 30 tabs	Scale: 1:1 Reference dieline: W272 (Plant code)
					Description Folding Carton
					Drawing no. WYA0467

V2 14 - APR - 2023 **champs Artwork Information Panel HALEON**

D2A <input type="checkbox"/>		Non Production <input type="checkbox"/>		Production <input checked="" type="checkbox"/>		AWP No: 7261155	CHAMPS No: 0000015705
Total Number of Colours including Varnish & Foils: 7						Manufacturing Site: Aprilia	Site Component No: 62000000203230
1. Cyan		2. Magenta		3. Yellow		Approving Market: Turkey-TUR	Site Change Control No:
4. Black		5. PANTONE 355 C		6. SILVER 10077 C		Product Market Trade Name: CENTRUM ADVANCE 50+	Component Type: Carton
7. Varnish - IDRO		8.		9.		Technical Drawing No: ID: WYA0467 - SC: 1870 - Varnish: Idro	Material Spec No:
10.		11.		12.		Print Process: Offset	Pharma Code No:
Total Special Finishes: 0						Barcode No: 8681291005282	Bar Width Reduction: 0 Micron
						Formulation Code: NA	Body Text Size: 6.0pt Leading: 7.0pt
						Micro Text: N	Horizontal Scale: 100% Smallest Text Size: 5.0pt

Studio Location: Coimbatore, IN

AIP_HALEON_2022_Version 1